

Gea GU10&GU5.3

LedsC4 Team

Downlight IP65 Gea GU10&GU5.3 GU10 8 AISI 316 stainless steel 275lm

Technical features

Luminaire total power: 8W

Lens / reflector angle: MEDIUM 31°

Structure material: Stainless steel AISI316

Structure finish: AISI 316 stainless steel

Diffuser material: Glass

Diffuser finish: Transparent

Max. size of light bulb: 65/NA mm

Recommended light bulb: GU10

Voltage / frequency: 100-240V/50-60Hz

Warranty: 2 years

Resistant to marine environments: Yes

Easily recyclable luminaire

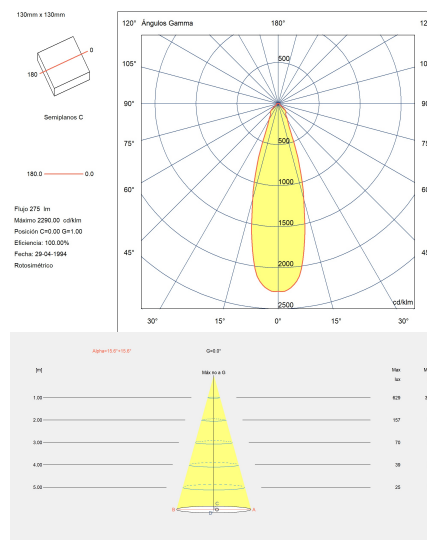
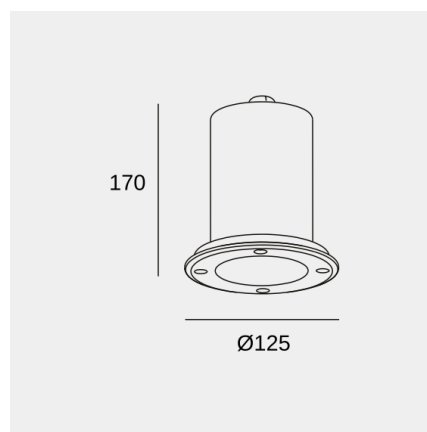


Luminotechnic features

Luminance C0°G65°: 1158

Luminance C90°G65°: 1158

Lampholder	Quantity	Light source power (W)	Correlated Colour Temperature (CCT)
GU10	1	Max. power 8W	-



Photometric test performed with a standard bulb

Image may not match reference. LedsC4 reserves the right to amend any of the product's components. The data related to flux, power and colour temperature may be subject to changes made by the manufacturer.

Gea GU10&GU5.3

LedsC4 Team

Downlight IP65 Gea GU10&GU5.3 GU10 8 AISI 316 stainless steel 275lm

Logistics



Net weight (kg): 0.72

Packaged weight (kg): 0.96

Packaging: 130mm x 130mm x 175mm

Light application



Image may not match reference. LedsC4 reserves the right to amend any of the product's components. The data related to flux, power and colour temperature may be subject to changes made by the manufacturer.

Gea GU10&GU5.3

LedsC4 Team

Downlight IP65 Gea GU10&GU5.3 GU10 8 AISI 316 stainless steel 275lm

Accessories included



Two GU5.3 + GU10 lamp holders

Image may not match reference. LedsC4 reserves the right to amend any of the product's components. The data related to flux, power and colour temperature may be subject to changes made by the manufacturer.