



## Circ Round Ø1000

Josep Patsi

Pendant Circ Round Ø1000 LED 49.3 LED warm-white 3000K ON-OFF White 3473lm

### Technical features

- Luminaire total power: 49.3W
- Real lumens: 3473
- Real lm/W: 70
- Correlated Colour Temperature (CCT): LED warm-white 3000K
- Lens / reflector angle: HORIZONTAL 157°
- UGR: <=19
- Structure material: Aluminium, Steel
- Structure finish: White
- Diffuser material: Methacrylate
- Diffuser finish: Tinted
- Driver Brand: MEANWELL
- Voltage / frequency: 100-240V/50-60Hz
- Dimming protocol: ON-OFF
- Power Factor: 0.90
- Useful life: 50,000h L80B20
- Warranty: 5 years



### Luminotechnic features

- Luminance C0°G65°: 973
- Luminance C90°G65°: 993
- CRI: 80
- MacAdam steps: 5
- Photobiological risk: RGO

| UGR              |            | Lampholder | Quantity | Light source power (W) | Correlated Colour Temperature (CCT) |
|------------------|------------|------------|----------|------------------------|-------------------------------------|
| S=0.250          |            |            |          |                        |                                     |
| Ceiling / cavity | 0.7        | LED        | 1        | 36W                    | LED warm-white 3000K                |
| Walls            | 0.5        |            |          |                        |                                     |
| Working Plane    | 0.2        |            |          |                        |                                     |
| Room dimensions  | X=4H, Y=8H |            |          |                        |                                     |
| UGR crosswise    | 17.1       |            |          |                        |                                     |
| UGR lengthwise   | 17.2       |            |          |                        |                                     |

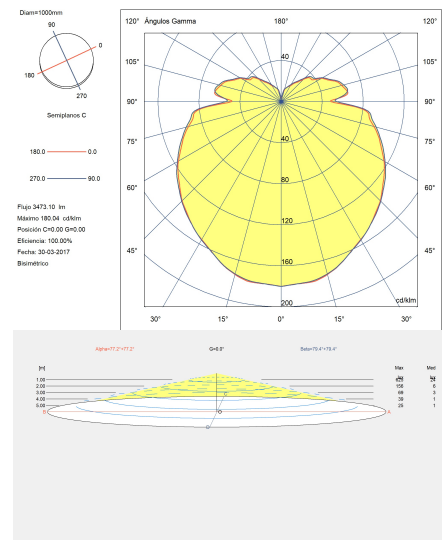
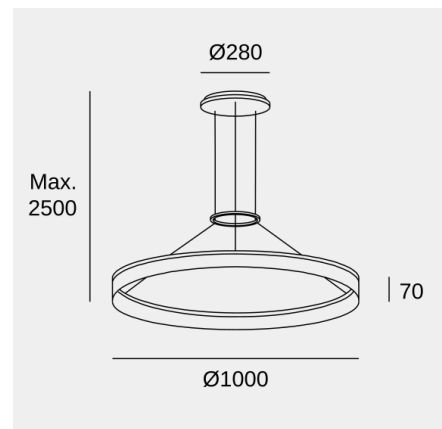


Image may not match reference. LedsC4 reserves the right to amend any of the product's components. The data related to flux, power and colour temperature may be subject to changes made by the manufacturer.



## Circ Round Ø1000

Josep Patsi

Pendant Circ Round Ø1000 LED 49.3 LED warm-white 3000K ON-OFF White 3473lm

### Logistics



x 1

Net weight (kg): 6

Packaged weight (kg): 9

Packaging: 1120mm x 165mm x 1120mm

### Light application



Image may not match reference. LedsC4 reserves the right to amend any of the product's components. The data related to flux, power and colour temperature may be subject to changes made by the manufacturer.



## Circ Round Ø1000

Josep Patsi

Pendant Circ Round Ø1000 LED 49.3 LED warm-white 3000K ON-OFF White 3473lm

### Optional accessories



71-2241-00-00

Controller with remote control

Structure material: NA

Dimensions: 60 x NA x 114

Net weight (kg): 0.18

Image may not match reference. LedsC4 reserves the right to amend any of the product's components. The data related to flux, power and colour temperature may be subject to changes made by the manufacturer.