

Avide LED Filament Mini Globe 7W E14 360° WW 2700K High Lumen

Product code: ABLFMG14WW-HL-7W
Brand link: avidelighting.com/qr/ABLFMG14WW-HL-7W
ID: AB-190518
Company name: Armin Trade Kft.
Company address: Kossuth utca 22 2/4, 4024 Debrecen

QR code:



Date of issue: 2022-09-05

Page: 1/3

SPECIFICATIONS

EAN code: 5999097918624
Warranty: 3year(s)
Socket: E14
Working temperature: -20 - +40 °C
Packaging: 1/b 100/c 6300/p
Certifications: CE

TECHNICAL DETAILS

Wattage: 7W
Voltage: 220-240V
Beam angle: 360°
Dimmability: No
Lumen output: 870lm
Color temperature: 2 700K
Lifetime: 25 000h
Energy class: A++
Type of LED: Filament
CRI: 80
IP standard: IP20

BOX PICTURE



Avide LED Filament Mini Globe 7W E14 360° WW 2700K High Lumen

Product code: ABLFMG14WW-HL-7W
Brand link: avidelighting.com/qr/ABLFMG14WW-HL-7W
ID: AB-190518
Company name: Armin Trade Kft.
Company address: Kossuth utca 22 2/4, 4024 Debrecen

QR code:



Date of issue: 2022-09-05

Page: 2/3

PRODUCT SIZE

Diameter: 45mm
Height: 78mm

CARDBOARD BOX

EAN: 5999097918624
Packaging: 1/b 100/c 6300/p
Dimensions: 48mm x 90mm x 48mm
Net weight: 12g
Gross weight: 30g

CARTON

EAN: 5999097918631
Packaging: 1/b 100/c 6300/p
Dimensions: 510mm x 260mm x 200mm
Net weight: 1.2kg
Gross weight: 3kg

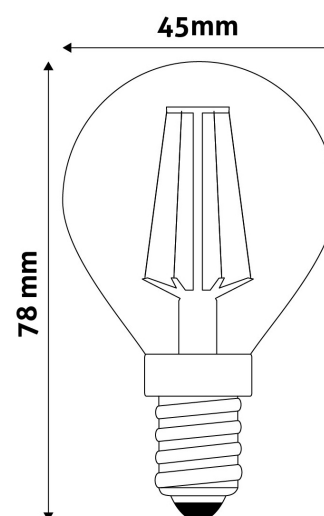
PALLET EXAMPLE

Height:
Width: 120cm (std Euro pallet)
Depth: 80cm (std Euro pallet)
Cartons per pallet: 63carton/pallet
Cartons per row:
Net weight: 75.6kg
Gross weight: 189kg

PRODUCT PICTURE



PRODUCT OUTLINE



Avide LED Filament Mini Globe 7W E14 360° WW 2700K High Lumen

Product code:	ABLFMG14WW-HL-7W
Brand link:	avidelighting.com/qr/ABLFMG14WW-HL-7W
ID:	AB-190518
Company name:	Armin Trade Kft.
Company address:	Kossuth utca 22 2/4, 4024 Debrecen

QR code:



Date of issue: 2022-09-05

Page: 3/3

PRODUCT DESCRIPTION

The LED filament products are professionally-designed light sources that can be used to effectively replace traditional light bulbs in most lighting environments.

This vertical line arrangement not only provides high brightness but can also produce a 360 ° projection angle. The advantages of LED lights are clearly visible here, their heat dissipation is low, thus they do not produce unnecessary heat energy, they emit light with maximum efficiency and thus can also be used at places where heating might represent a hazard.

Placement within the lamp shade or higher is the adequate choice for a transparent product. In the case of a transparent product, avoid direct lighting and at such places use types with an opaline shade instead, which provides a pleasant homogeneous light and does not dazzle the eyes.

As opposed to traditional LED technology, in the case of filament products the chips are placed on transparent columns separated from each other and are then covered with phosphorus. This is called COG or Chip on Glass technology. This procedure enables the replacement of traditional light bulbs both aesthetically and in terms of size. They do not flash, sparing they eyes this way. Switching them on and off does not shorten their service life. As they do not contain a filament per se, vibration or shock does not necessarily result in the failure of the light source.

LED lights do not emit light by heating up a metal filament but by means of electrons, thus they have a minimal heat loss. You can save up to 80% energy compared to traditional light bulbs when using LED technology. LED lights produce minimal heat, thus they can also be used at places where heating might represent a hazard.