

PRODUCT DATASHEET

DL SLIM FRAME DN 210 WT

DOWNLIGHT SLIM ROUND | Flat downlights with integrated driver, round shape



Areas of application

- General illumination
- Public areas
- Stairways
- Corridors
- Foyers
- Shops

Product benefits

- Cable entry on the side for electrical connection with low profil
- Easy installation thanks to included drilling template

Product features

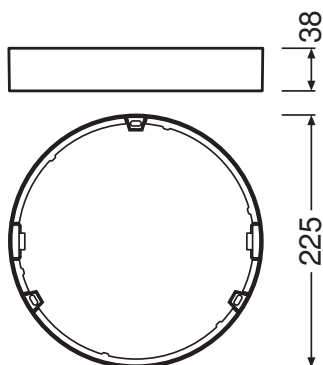
- Low mounting depth
- Robust polycarbonate casing
- Mounting accessories included



TECHNICAL DATA

Dimensions & Weight

| | |
|----------------|---------|
| Diameter | 225 mm |
| Height | 38 mm |
| Product weight | 67.00 g |



Materials & Colors

| | |
|---------------|-------|
| Product color | White |
|---------------|-------|

Application & Mounting

| | |
|-------------------|----------------|
| Mounting location | Ceiling / Wall |
|-------------------|----------------|

Certificates & Standards

| | |
|----------------|----|
| Ball shot safe | No |
|----------------|----|

DOWNLOAD DATA

Documents and certificates



User instruction

Tender texts



Tender documents

LOGISTICAL DATA

| Product code | Packaging unit (Pieces/Unit) | Dimensions (length x width x height) | Gross weight | Volume |
|---------------|------------------------------|--------------------------------------|--------------|-----------------------|
| 4058075079199 | Folding box 1 | 43 mm x 235 mm x 235 mm | 156.00 g | 2.37 dm ³ |
| 4058075079205 | Shipping box 6 | 280 mm x 245 mm x 265 mm | 1222.00 g | 18.18 dm ³ |

The mentioned product code describes the smallest quantity unit which can be ordered. One shipping unit can contain one or more single products. When placing an order, for the quantity please enter single or multiples of a shipping unit.

DISCLAIMER

Subject to change without notice. Errors and omission excepted. Always make sure to use the most recent release.