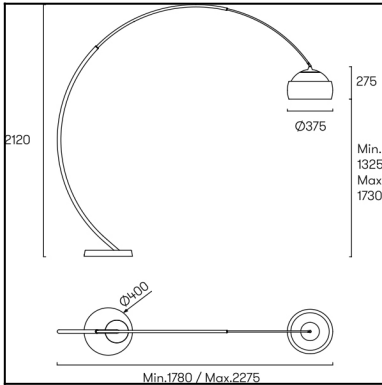


HOOP BALLOONS 25-0058-BW-M1

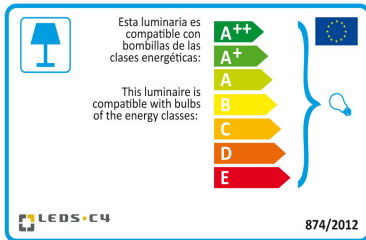
Design by Josep Patsí



The photograph may not match the reference exactly. Please read the product description to identify the finish.



Download photometric file .ldt /.ies



Click on image to download energy label

TECHNICAL CHARACTERISTICS

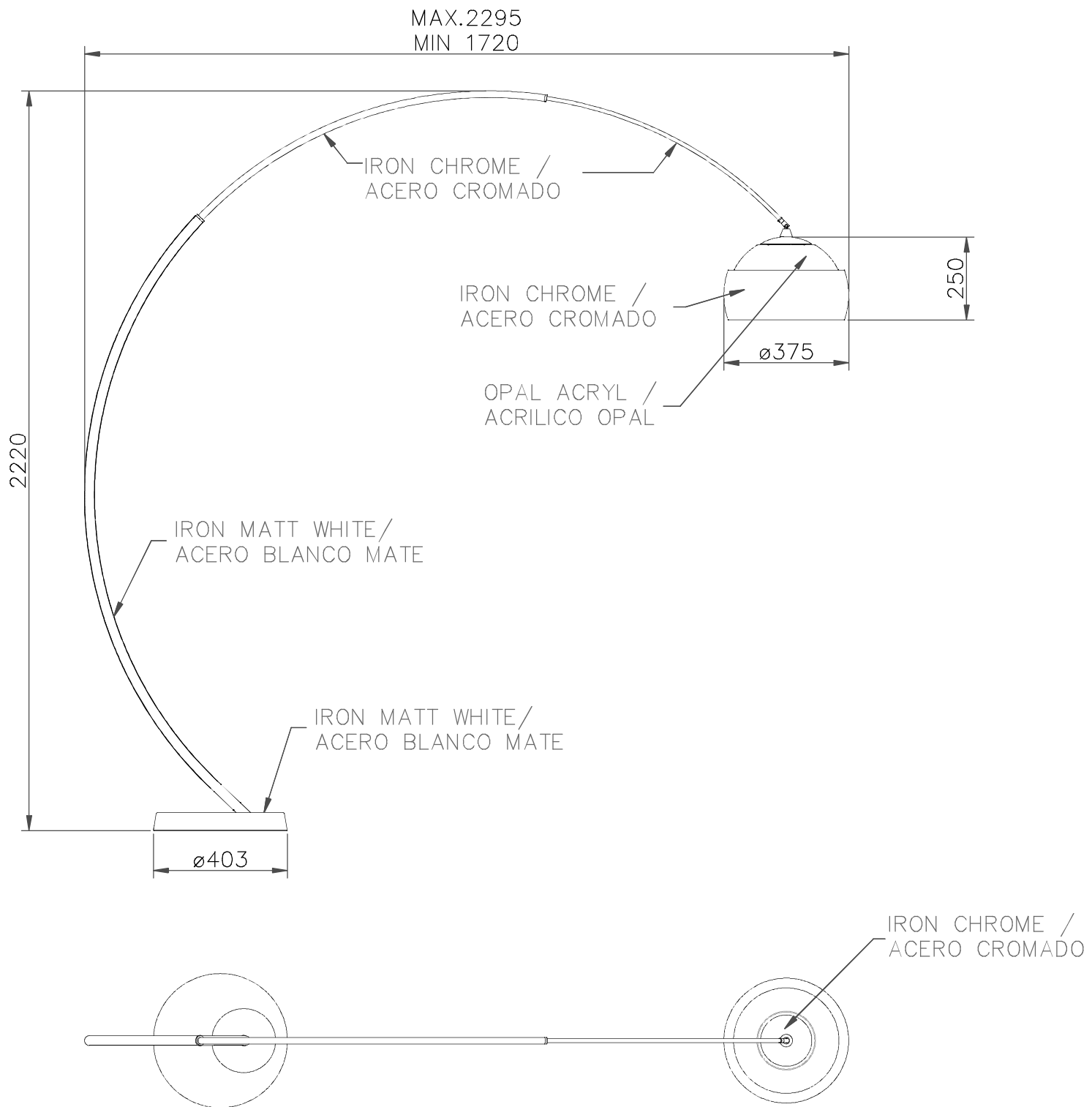
Type:	Floor lamp
IP Protection degrees:	IP20
Light source 1: Bulb specified at the product label	1 x E27 MAX 23W
Total power consumption (W):	23
Voltage / Frequency:	220-240V/50-60Hz
Warranty:	2
Units per box:	1
Net Weight (Kg):	41.805
EAN Code:	8435381403287



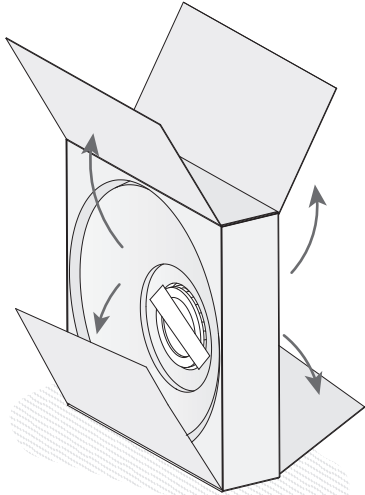
MATERIALS / FINISHES

Structure material: Steel
Structure finish: Matt white
Chrome

Diffuser material: Methacrylate
Diffuser finish: Opal



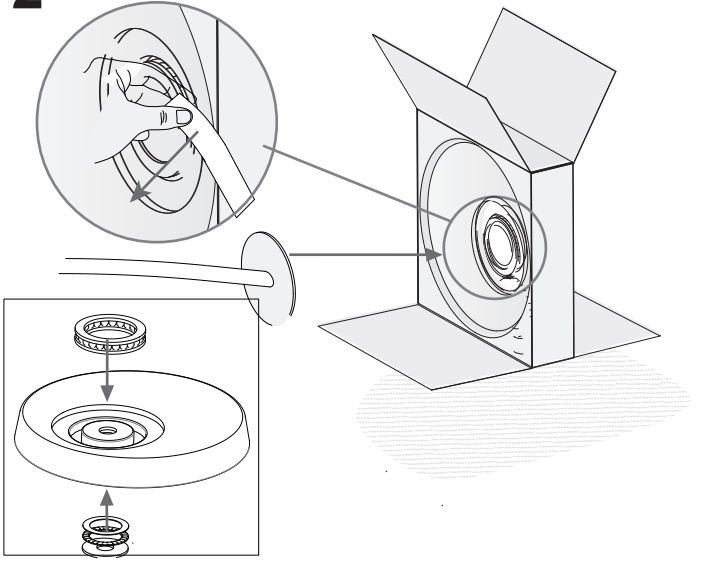
1



2

2A

2B

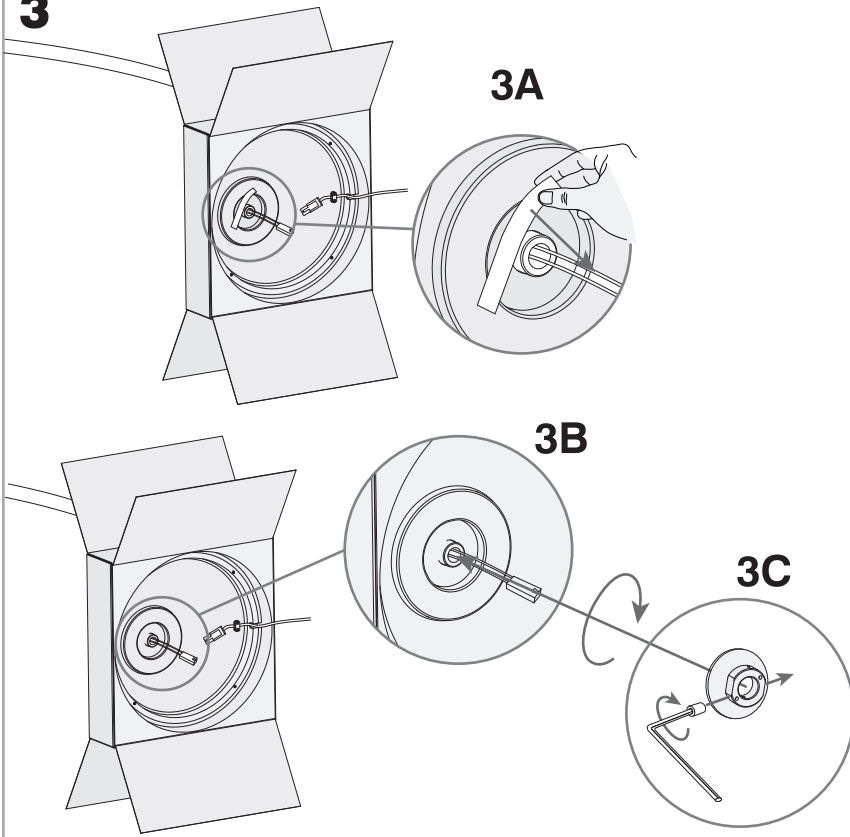


3

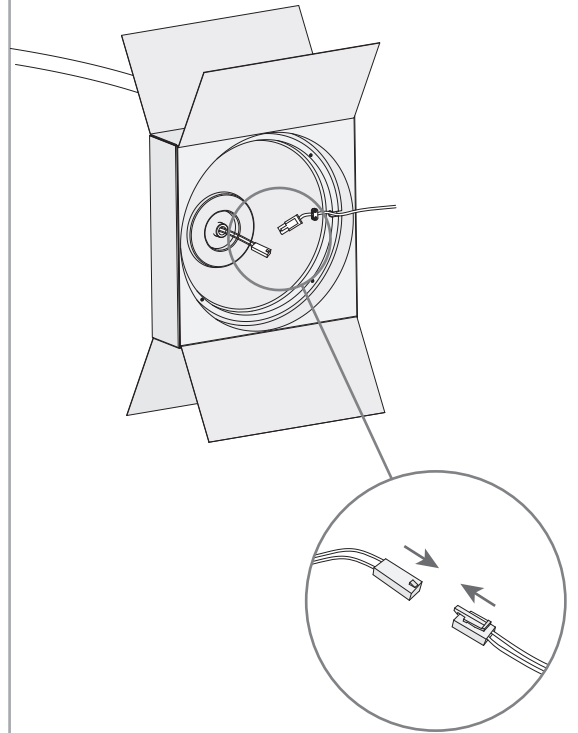
3A

3B

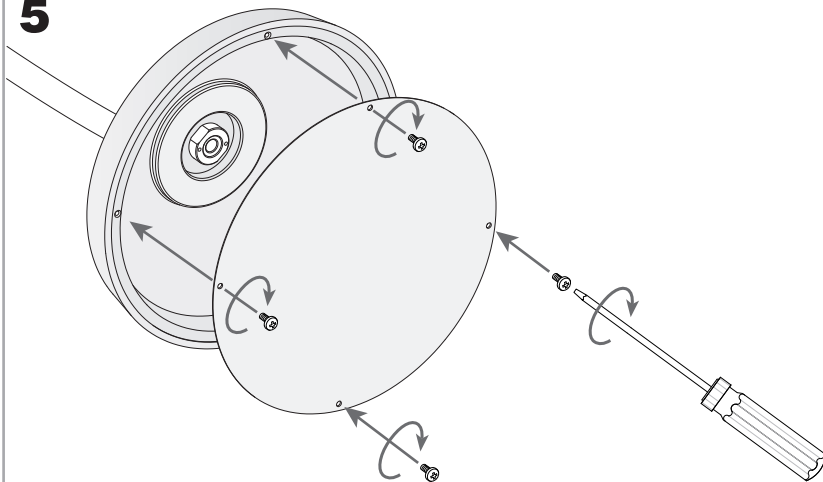
3C



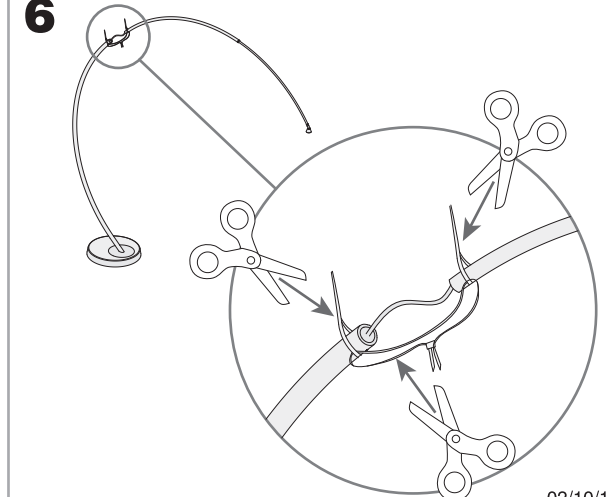
4



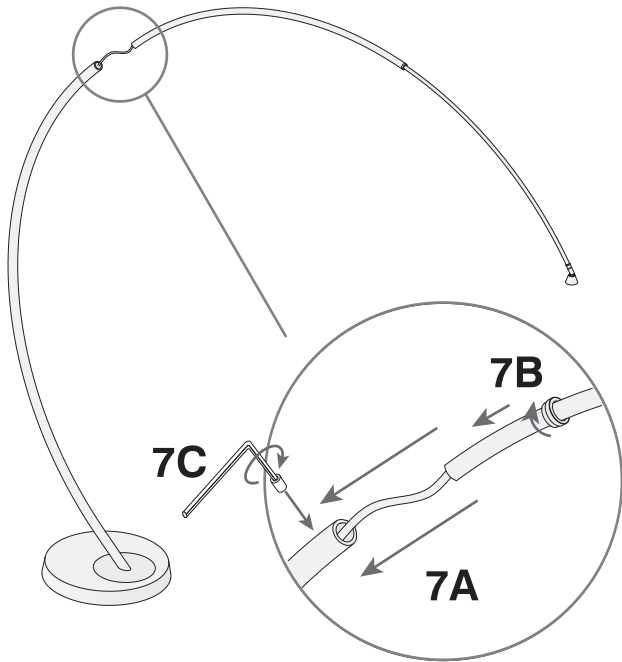
5



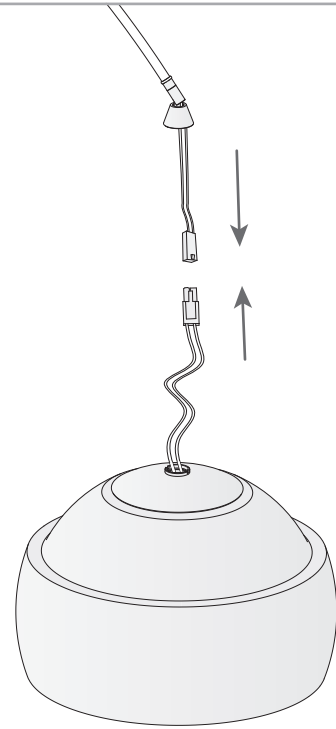
6



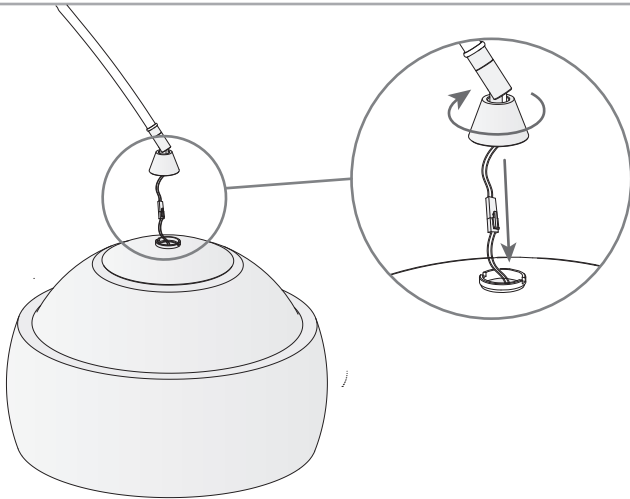
7



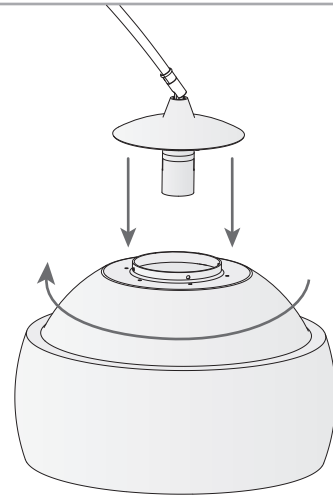
8



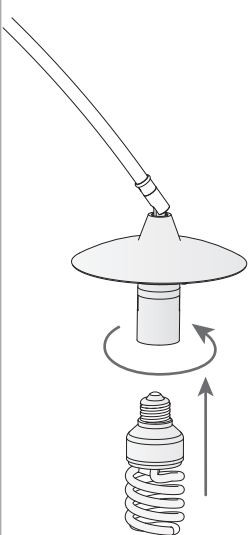
9



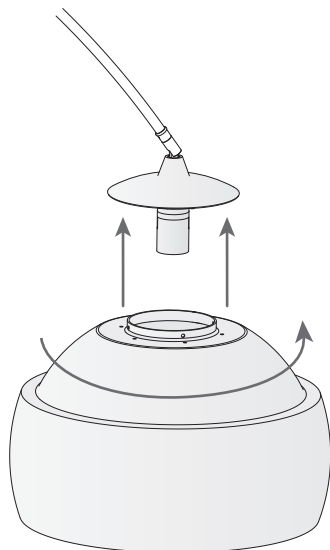
10



11



12



13

